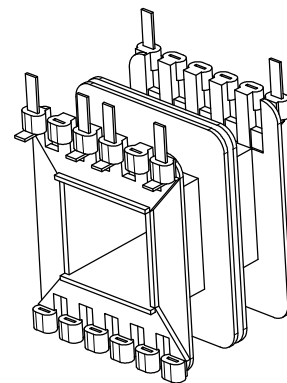
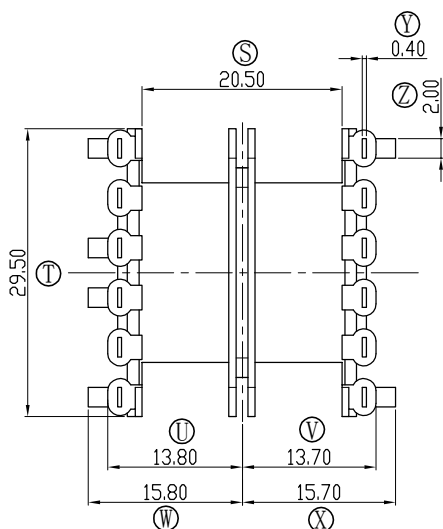
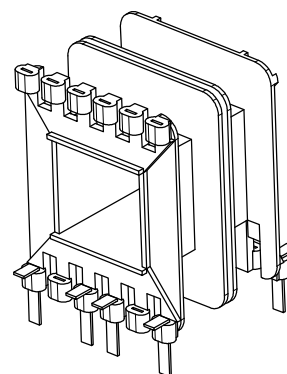
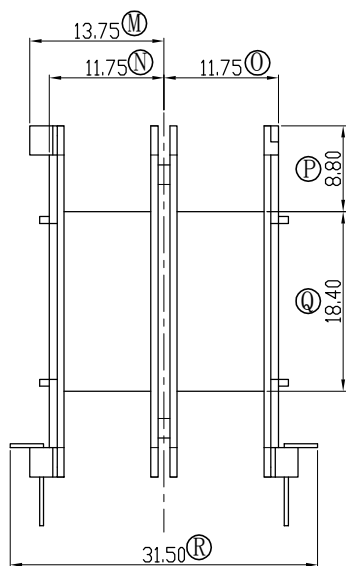
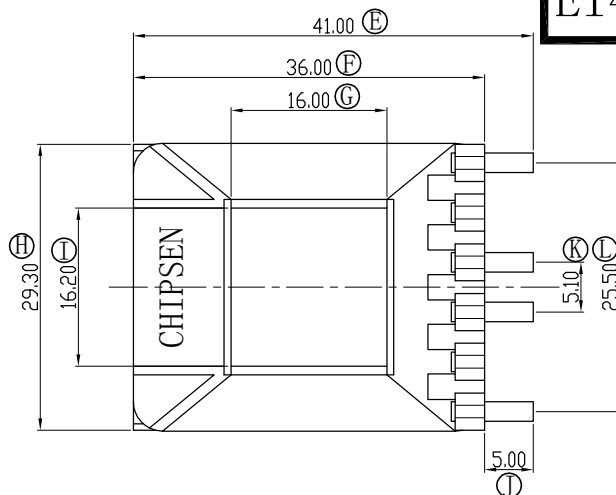
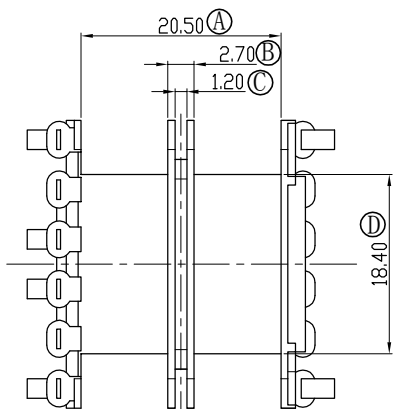


EI48\*17



日期	更改记录	明细



东莞市汇泉塑胶五金有限公司  
DONGGUAN HUIQUAN PLASTIC HARDWARE CO., LTD

Address: 东莞市樟木头镇樟洋银洋工业区22号

Tel: 0769-89978391

Fax: 0769-87196826

E-mail: cqchao168@163.COM

TITLE:	EI48*17	SCALE:	FULL	
DRAWING NO:	EI48*17	UNIT:	m/m	
MATERIAL:	PA66+15%GF	UL REC:	94V-0	
PIN MATERIAL:	CP WIRE	TOLERANCE		
	PIN PITCH ± 0.20	0 < L ≤ 4:	± 0.1	
	DATE: 2022. 03. 12	ANGLE ± 1°	4 < L ≤ 16:	± 0.2
				16 < L ≤ 63: