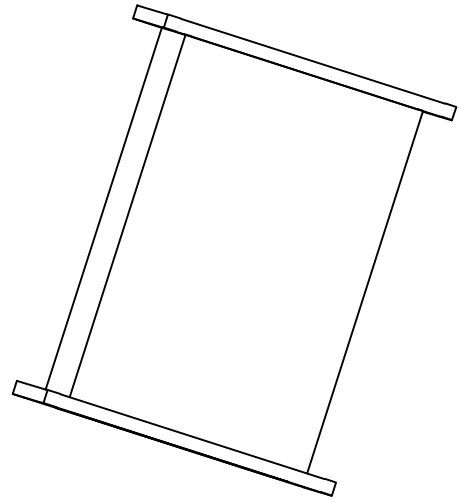
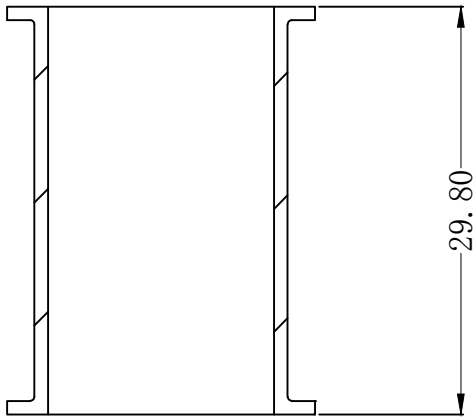
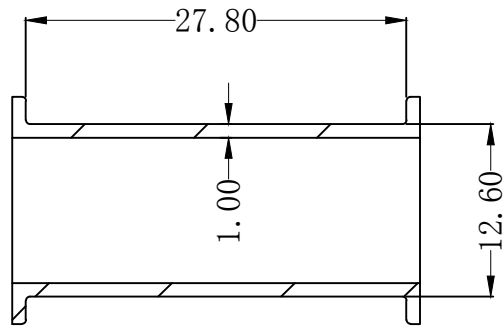
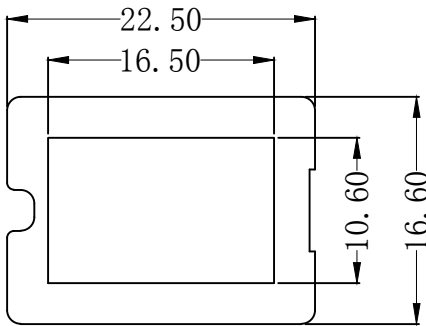
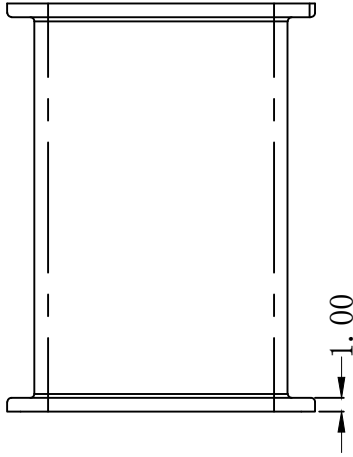



UF30



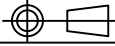

**东莞市汇泉塑胶五金有限公司**  
 HUIQUAN DONGGUAN HUIQUAN PLASTIC HARDWARE CO., LTD

Address: 东莞市樟木头镇樟洋银洋工业区K栋

Tel: 0769-89978391

Fax: 0769-87196826

E-mail: cqchao168@163.COM

TITLE:	UF30	SCALE:	2/1
DRAWING NO:	HT UF30	UNIT:	m/m
MATERIAL:	PHENOLIC	UL REC:	94V-0
PIN MATERIAL:	CP WIRE	TOLERANCE	
	PIN PITCH $\pm 0.20$	0<L≤4: $\pm 0.1$	
		4<L≤16: $\pm 0.2$	
DATE: 2017. 11. 07	ANGLE $\pm 1^\circ$	16<L≤63: $\pm 0.3$	