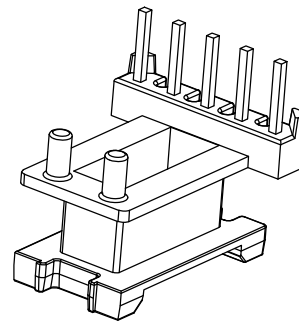
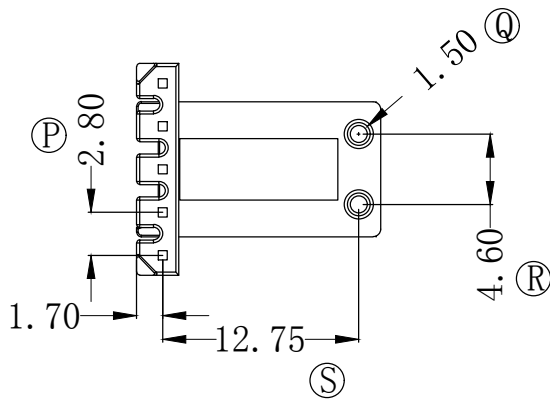
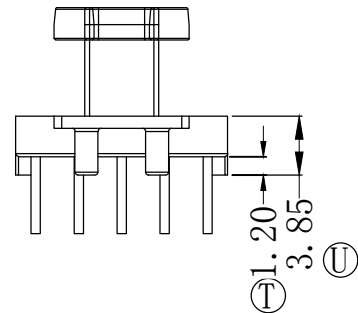
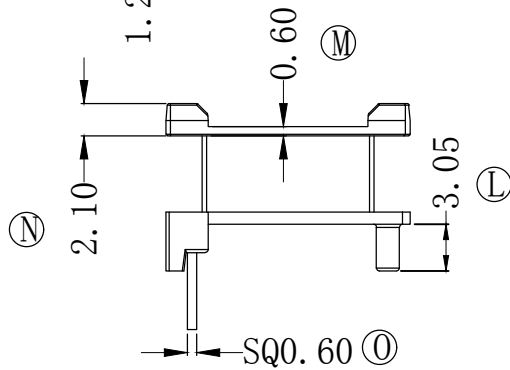
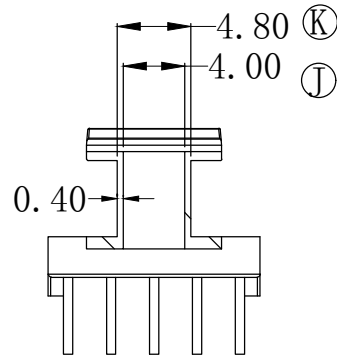
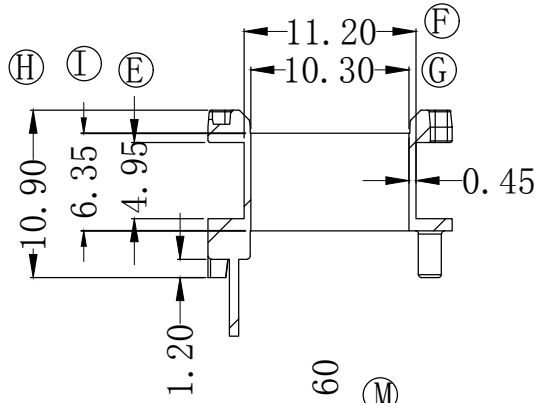
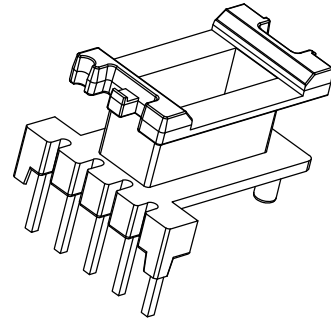
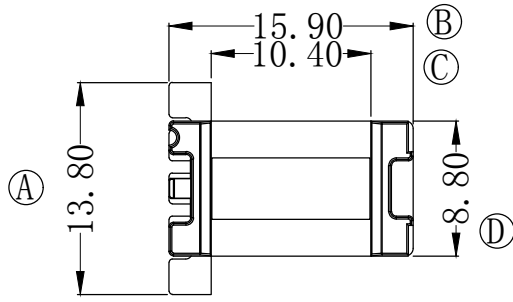


EE13 立式5P



东莞市汇泉塑胶五金有限公司

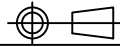
DONGGUAN HUIQUAN PLASTIC HARDWARE CO., LTD

Address: 东莞市樟木头镇樟洋银洋路22号

Tel: 0769-89978391

MP: 18988725701-18988725702

E-mail: cqchao168@163.COM

|   |                      |                    |       |
|---|----------------------|--------------------|-------|
| TITLE:  | EE13 立式5P            | SCALE:             | FULL  |
| DRAWING NO:   | EE13-15              | UNIT:              | m/m   |
| MATERIAL:   | PHENOLIC             | UL REC:            | 94V-0 |
| PIN MATERIAL:   | CP WIRE              | TOLERANCE          |       |
|  | PIN PITCH $\pm 0.20$ | 0<L≤4: $\pm 0.1$   |       |
|   | DATE: 2022. 07. 15   | 4<L≤16: $\pm 0.2$  |       |
|   | ANGLE $\pm 1^\circ$  | 16<L≤63: $\pm 0.3$ |       |